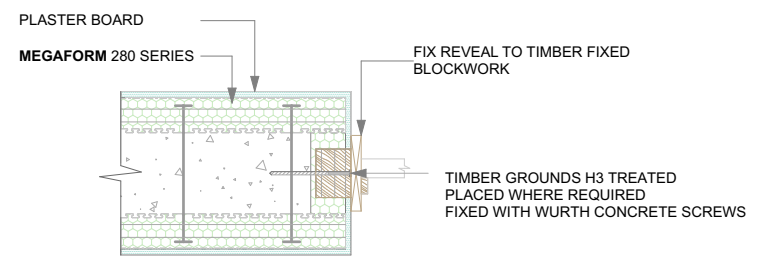
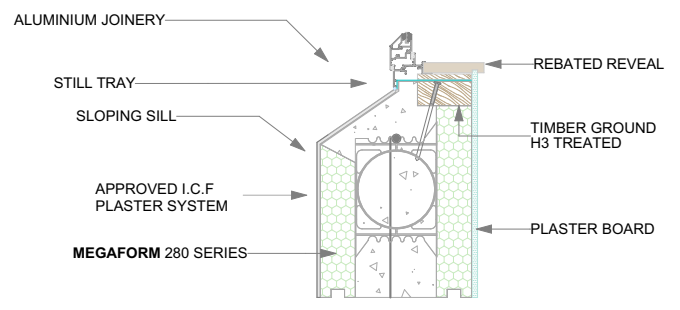


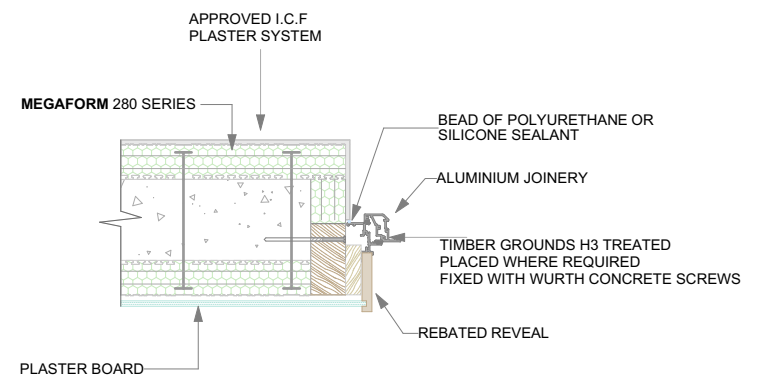
WINDOW HEAD



INTERNAL DOOR JAMB



WINDOW SILL



WINDOW JAMB

NOTE:
 ALL REINFORCEMENT SHOWN IS INDICATIVE ONLY. ADDITIONAL REINFORCEMENT MAY BE NEEDED TO MEET SPECIFIC REQUIREMENTS (E.G. STRENGTH, STABILITY, DURABILITY, APPEARANCE, ETC.) RELEVANT TO THE ELEMENT BEING DESIGNED, AND TO ENSURE THAT THE DESIGN IS FIT FOR PURPOSE. FINAL DESIGN TO BE OVERSEEN BY AN APPROPRIATELY QUALIFIED STRUCTURAL ENGINEER.

ALUMINIUM JOINERY DETAILS WITH I.C.F PLASTER